

21000 Series Control Valves

The 21000 Series single ported unbalanced trim, heavy top guided control valves are designed with built in versatility making them well-suited to handle a wide variety of process applications. Standard features include:

Top Guided

Rugged, heavy top plug guiding provides maximum support to ensure plug stability.

Single and Double Stage Lo-dB/Anti-cavitation Trim

Replacing the conventional plug with the **Lo-dB™**/Anti-cavitation design provides excellent noise attenuation or cavitation control.

Reduced Capacity and Low Flow Trim

A series of reduced area trim is available to provide wide flow range capabilities in all valve sizes. Optional trim to meet low flow requirements is also available.

High Pressure Capability

A variety of actuators are available to handle low to high pressure drop requirements. Allowable pressure drops for specific leakage classes can be calculated using the **Masoneilan™ ValSpeQ™** Sizing and Selection Program.

Tight Shutoff

Class IV leakage is standard. Optional constructions meet IEC 534-60534-4 and ANSI/FCI 70.2 Class V and VI.

Hardened Trim

Provided as standard to handle high pressure drop applications.

Trim Type

Standard construction offers either a quick change or threaded seat ring. This trim is unbalanced and uses no seals or pilots.



Environmental Packing

Low emission Low-E Packing is available to assure compliance with latest environmental regulations.

Emissions Free

Bellows seal design option is available to meet zero emissions requirements.

NACE Compliance

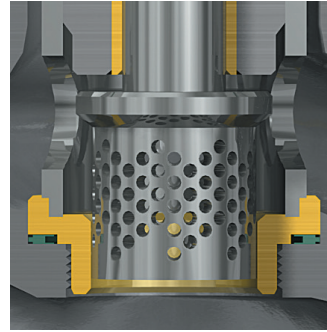
The 21000 Series is available for Sour Service Applications using design and construction methods in accordance with NACE Standard MR 0103. Applications requiring compliance to MR 0175, 2003 Rev or ISO 15156 require engineering review.

Specifications

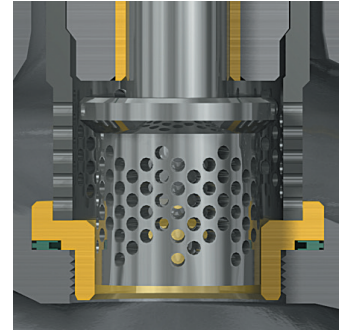
Flow Direction	
Contoured:	Flow-to-open/flow-to-close
Lo-dB:	Flow-to-open
Anti-cavitation:	Flow-to-close
Body	
Type:	High capacity globe High capacity angle
Bonnet	
Type:	Bolted standard Bolted extension Bolted cryogenic
Body and Bonnet	
Materials:	Carbon steel 316 stainless steel Chrome-molybdenum steel Others
Trim	
Plug type:	Contoured Soft seat Lo-dB (1 or 2 stages) Anti-cavitation (1 or 2 stages)
Seat ring:	Threaded Quick change
Guide:	Heavy top guided
Capacity:	Full area Reduced capacity in all sizes
Cv ratio:	50:1
Flow characteristic:	Linear Equal percentage Modified percent
Actuator	
Type:	Spring diaphragm
Handwheel:	Optional

Lo-dB Trim Designs

The optional Lo-dB trim designs offer single-stage and double-stage noise attenuation benefits. Noise reduction levels of up to 25 dBA are possible, depending on the specific operating conditions.



Single-stage trim



Double-stage trim