

Becker™ Rotary Piston Spring Return RPSR Actuators

**Durable, fatigue-resistant
and maintenance free, RPSR
Actuators meet severe service
applications requirements.**



Description

The RPSR Rotary Piston Spring Return Actuator is designed for heavy duty control applications that require optimum performance. The RPSR actuator is typically utilized when applications require the control valve to fail-open or fail-closed upon loss of power supply gas. The RPSR actuator incorporates a crank-arm mechanism specifically designed for the rigors of throttling control valve applications. The RPSR actuator can accept high pressure power supply gas up to 400 psig (2478 kPa) enabling the use of smaller actuators or Becker's exclusive Bleed to Pressure System (BPS) feature.

Features

- Bleed to Pressure System can eliminate bleed gas emissions
- Retrofits to almost any pipeline valve
- High pressure RPSR actuator accepts high-pressure natural gas up to 400 psig (2478 kPa)
- Upright actuator design saves space and promotes longer actuator piston life
- Designed to be maintenance free
- Comes equipped with a high visibility scale that indicates valve position
- Crank-arm design actuators are specifically suited for control valve applications
- May be mounted in any installation orientation
- Optimized low center of gravity to minimize effects of application vibration and in-service wear to enable long installed life

Technical Specifications

Actuator Type	Quarter turn (90° Rotation)
Mechanism	Crank-arm
Usage	Heavy-duty
Action	Single-acting (fail-open or fail-closed)
Applications	Throttling, On-Off, surge control
Maximum Gas Supply	400 psig (2478 kPa)
Bleed to Pressure System	Yes
Below Ground Design	Yes
Maximum Valve Size	16" bore (406 mm)
Minimum Valve Size	2" bore (50 mm)
Stop Adjustment	Internal
Torque Output	1100 - 130,000 + in. lbs.
Compatible Valves	FPCV-T0, QTCV-T1, QTCV-T2, QTCV-T3 and QTCV-T4



Becker RPSR Rotary Piston Spring Return Actuator Components

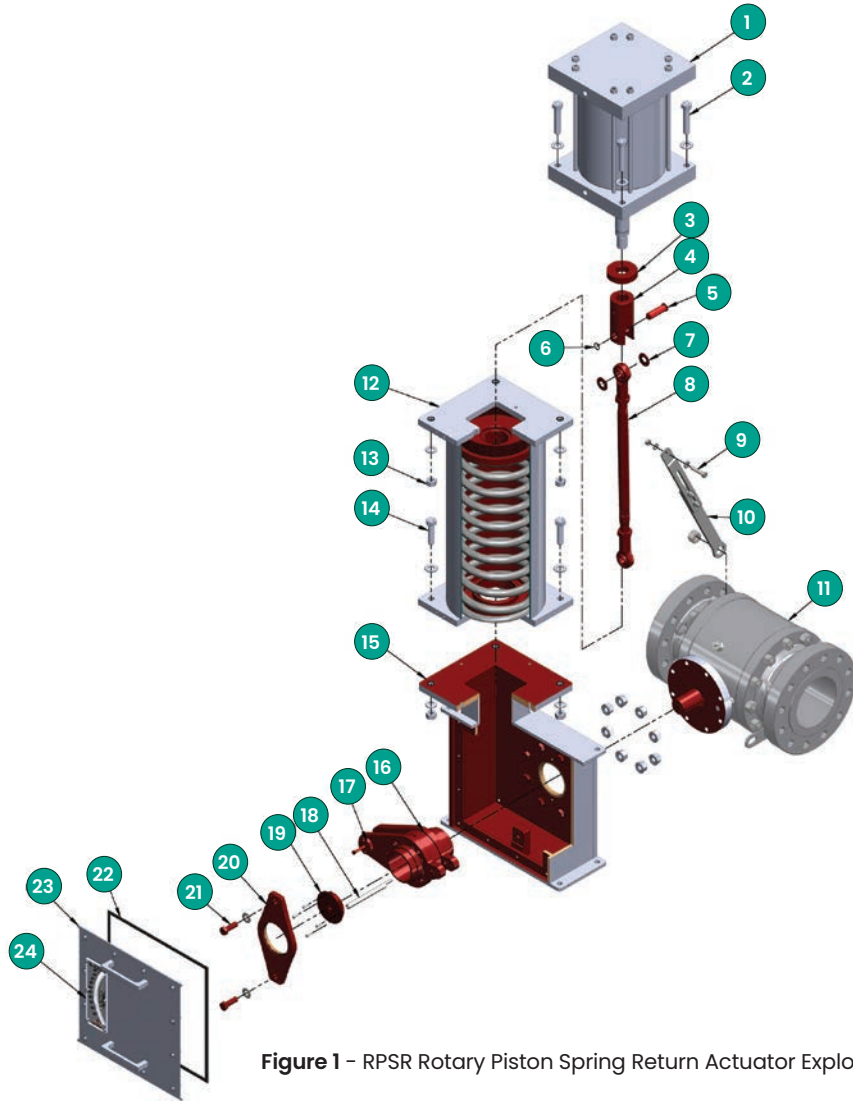


Figure 1 – RPSR Rotary Piston Spring Return Actuator Exploded View

Table 1 – RPSR Rotary Piston Spring Return Actuator Parts List

Item	Qty	Description	Material	Item	Qty	Description	Material
1	1	Cylinder	Various	13	4	Cylinder Mtg. Nut	Carbon Steel
2	1	Cylinder Mtg. Bolt	Carbon Steel	14	4	Spring Crtg. Mtg. Bolt	Carbon Steel
3	1	Cylinder Rod Flange	Carbon Steel	15	1	Actuator Housing	Carbon Steel
4	1	Rod Clevis	Carbon Steel	16	1	Torque Arm	Carbon Steel
5	1	Rod Clevis Pin	High Strength Alloy Steel	17	1	Torque Arm Pin	High Strength Alloy Steel
6	1	Tru-arc Ring	Carbon Steel	18	1	Key	Carbon Steel
7	2	Bushing	Bronze	19	1	Key Cover	Stainless Steel
8	1	Adjustable Connecting Link	Carbon Steel w/ SS Bearings	20	1	Outboard Plate	Carbon Steel w/ Duralon 15
9	1	knee Brace Mtg. Bolt	Carbon Steel	21	2	Outboard Plate Mtg. Bolt	Carbon Steel
10	1	knee Brace	Carbon Steel	22	1	Gasket	Neoprene
11	1	Valve	Various	23	1	Cover Plate	Carbon Steel
12	1	Spring Cartridge	Carbon Steel	24	1	Position Indicator	Lexan

Becker RPSR Rotary Spring Return Actuator Cylinder Components

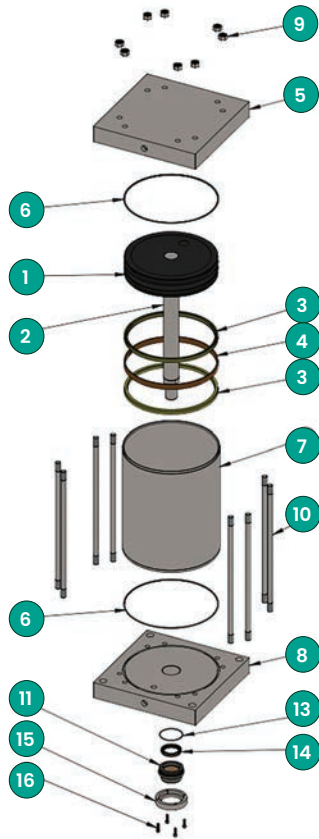


Figure 2 - RPSR Actuator Cylinder Exploded View

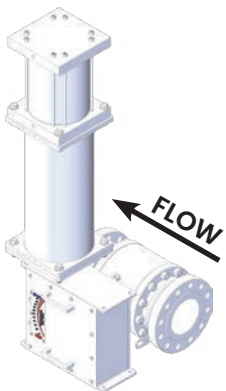
Table 2 - Becker RPSR Cylinder Components Parts List

Item	Description	Material
1	Piston	Nodular Iron
2	Piston Rod	Hard Chrome Plate
3	Piston U-Cup Seal (top)	Buna-N
4	Piston Wear Strip	Reinforced Teflon*
5 ⁽¹⁾	Piston Head (top)	Steel
6	Tube Seal (top)	Buna-N O-Ring
7 ⁽¹⁾	Piston Tube	Precision Honed Steel
8	Piston Head (bottom)	Steel
9	Hex Nut	Steel
10	Cylinder Tie-Rod	High Strength Steel
11	Gland Plate	Steel
13	Piston Rod Bearing	Duralon*
14	Rod Packing	Buna-N
15	Piston Rod Seal	Polyuetherane
16	Gland Plate Screws (SHCS)	Alloy Steel

1. For low temperature design, alternate Buna-N (low temp) utilized for items 5 & 7. For high temperature design, alternate Buna-N (high temp) utilized for items 5 & 7.

RPSR Actuators Standard Mounting Configurations

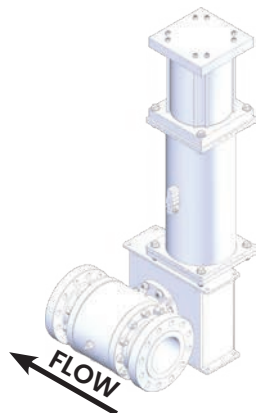
Figure 3.1



Mount #1 - Left Hand (Standard) with clean sweep feature

Actuator located on left hand side of valve when looking in direction of flow (actuator vertical/valve stem horizontal).

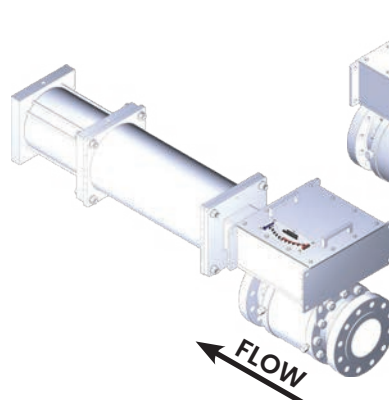
Figure 3.2



Mount #2 - Right Hand

Actuator located on right hand side of valve when looking in direction of flow (actuator vertical/valve stem horizontal).

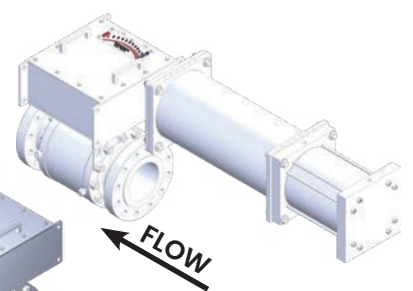
Figure 3.3



Mount #3 - Vertical Stem (Actuator Downstream)

Actuator located on downstream side of valve when looking in direction of flow (actuator horizontal/valve stem horizontal).

Figure 3.4



Mount #4 - Vertical Stem (Actuator Upstream)

Actuator located on upstream side of valve when looking in direction of flow (actuator horizontal/valve stem vertical).

RPSR Actuators are specifically suited for fast-acting applications, such as surge control/recycle valves

Maintenance Free

The RPSR Actuator is designed to be maintenance free, no regular lubrication is required for the piston cylinder or the actuator.

Vertical Advantage

Upright actuator promotes longer actuator piston seal life, saves space, and requires less maintenance than other actuators.

Non-Field Serviceable Spring Cartridge Ensures Safety

The RPSR actuator's spring cartridge features an all-welded design that is serviceable only via our manufacturing facility. The non-Field Serviceable design minimizes potential for injury by prohibiting field disassembly of the spring cartridge portion of the RPSR actuator.

Connecting Link with Stainless Steel Spherical Bearings Eliminates Side Load. Actuator Spring Designed for High Speed, High Frequency Operation

The RPSR Actuator spring is manufactured from heat-treated 6150H alloy steel for superb fatigue resistance and virtually infinite life. The RPSR actuator's spring is capable of providing long-life, even under the most demanding applications.

Easy to Read Travel Indicator

All RPSR actuators come equipped with high visibility scale that indicates valve position.

Crank Arm Designed For Control Valves

Crank arm design actuators are specifically suited for control applications. The crank arm provides an increasing torque curve that develops high torque output where it counts. Additionally, the crank arm design minimizes friction and lost motion.

Simplified Maintenance and Handling

The torque arms and hub feature threaded holes to simplify removal. Using common bolts inserted through those holes, the hub and levers can be easily pushed (jacked) outward and off the valve shaft. The flat bottom housing design allows for simplified handling and easier support installation when necessary. A low Center of Gravity reduces vibration/seismic loads transmitted to the valve mounting.

High Pressure Capability

The RPSR Actuator is specifically constructed to accept high pressure natural gas up to 400 psig (2478 kPa). Higher pressure power gas allows use of smaller actuators and implementation of Becker's unique Bleed to Pressure System.

We can retrofit to almost any valve in your pipeline!

We can provide high quality actuators to mate to almost any quarter turn valve, regardless of manufacturer or age. We have years of experience successfully adapting our actuators to fit a multitude of valves.

U-Cup Piston Seals

U-cup Piston Seals are designed to provide superior sealing capabilities with minimal friction. This design allows accurate positioning of the control valve actuator with very slight pressure differential to the piston.

Custom Coatings Available

Standard preparation of Becker RPSR actuators includes sandblast per SP-10 and epoxy coating for above ground actuators and coal tar epoxy for below ground actuator portions. RPSR actuators are available with custom coatings to suit application needs.

Precision Machined Torque Hub & Arms

RPSR Actuators feature a precision machined torque hub and arms. Combined with two large Torque Arm Bearings, the precise machining ensures a low friction design for precise control.

Torque Arm Bearings

RPSR Actuators feature two large Torque Arm Bearings to eliminate side load to control valve stem. Both inboard and outboard torque arm bearings are manufactured from non-metallic Duralon™ material to ensure maximum load bearing capacity.

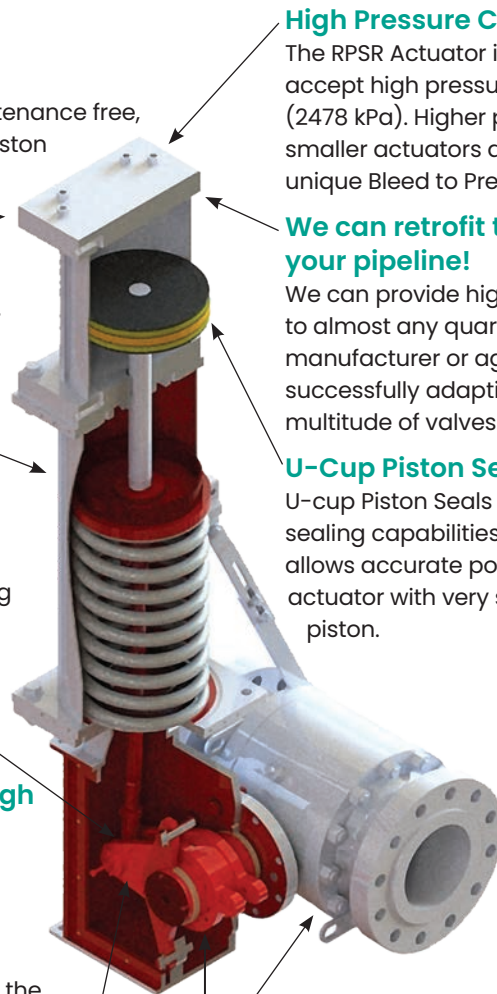


Figure 4 - Cutaway view of RPSR Actuator and Cylinder

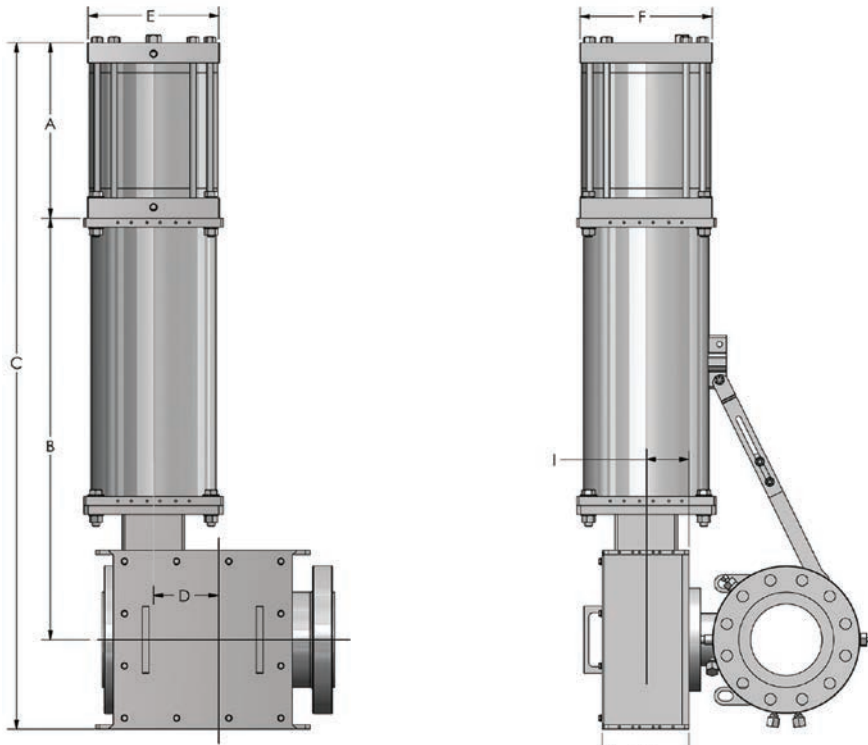


Figure 5 - RPSR actuators (Single Spring Cartridge)

Table 3 - RPSR actuators Dimensions (Single Spring Cartridge)

Model	Dimensions inches (mm)								Weight
	A	B	C	D	E	F	H	I	lbs (kg)
5D-SR-2	9.56 (243)	26.76 (680)	44.32 (1126)	2.42 (61)	7.62 (194)	6.5 (165)	9.82 (249)	4.75 (121)	280 (127)
6F-SR-7	12.19 (310)	32.44 (824)	53.63 (1362)	3.62 (92)	7.62 (194)	6.5 (165)	9.82 (249)	4.75 (121)	470 (213)
6D-SR-2	10.5 (267)	26.76 (680)	45.26 (1149)	2.42 (61)	7.62 (194)	6.5 (165)	9.82 (249)	4.75 (121)	310 (141)
6D-SR-7	10.19 (259)	29.44 (748)	47.63 (1210)	2.42 (61)	7.62 (194)	6.5 (165)	9.82 (249)	4.75 (121)	420 (191)
8F-SR-7	11.69 (297)	33.19 (843)	53.88 (1369)	3.62 (92)	8.5 (216)	8.5 (216)	9.82 (249)	4.75 (121)	500 (227)
8F-SR-8	11.69 (297)	36.38 (924)	57.07 (1450)	3.62 (92)	10.62 (270)	10.62 (270)	9.82 (249)	4.75 (121)	570 (259)
10F-SR-33	13.06 (332)	38.26 (972)	60.32 (1532)	3.62 (92)	10.62 (270)	10.62 (270)	9.82 (249)	4.75 (121)	670 (304)
8H-SR-33	13.69 (348)	40.26 (1022)	62.95 (1599)	4.83 (123)	10.62 (270)	10.62 (270)	9.82 (249)	4.75 (121)	640 (290)
10H-SR-33	14.38 365	40.26 (1022)	63.64 (1616)	4.83 (123)	10.62 (270)	10.62 (270)	9.82 (249)	4.75 (121)	730 (331)
10H-SR-39	14.38 (365)	41.13 (1045)	64.51 (1639)	4.83 (123)	12.75 (324)	12.75 (324)	9.82 (249)	4.75 (121)	900 (408)

Notes: Dimensions "B" & "C" will change for below ground units according to depth of burial.
 For surge control design RPSR Actuator dimensions, refer to Becker Surge Control Valves Brochure.
 Dimensions and weights are representative only. Consult valve drawings for actual values.

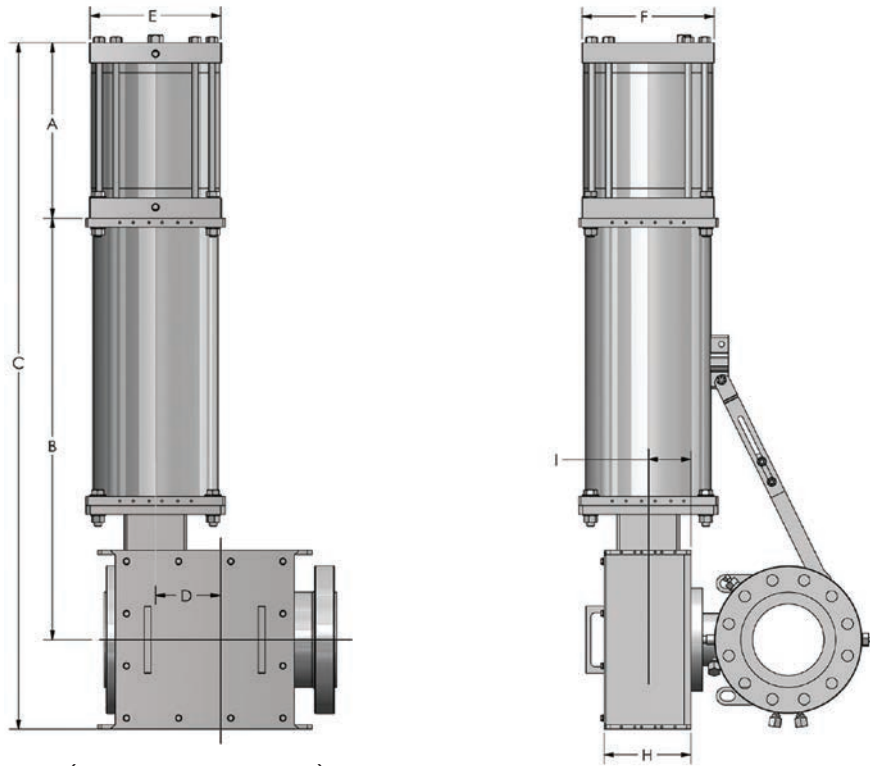


Figure 6 - RPSR actuators (Single Spring Cartridge)

Table 4 - RPSR actuators Dimensions (Single Spring Cartridge)

Model	Dimensions inches (mm)								Weight
	A	B	C	D	E	F	H	I	lbs (kg)
10L-SR-33	19.06 (484)	45.26 (1149)	74.32 (1888)	7.25 (184)	10.62 (270)	10.62 (270)	9.82 (249)	4.75 (121)	880 (399)
10L-SR-39	14.37 (365)	46.13 (1172)	70.5 (1791)	7.25 (184)	12.75 (324)	12.75 (324)	9.82 (249)	4.75 (121)	950 (431)
10L-SR-41	19.06 (484)	47.13 (1197)	76.19 (1935)	7.25 (184)	14.75 (375)	14.75 (375)	9.82 (249)	4.75 (121)	980 (445)
12L-SR-39	18.87 (479)	46.13 (1172)	75 (1905)	7.25 (184)	12.75 (324)	12.75 (324)	9.82 (249)	4.75 (121)	1020 (463)
12L-SR-41	19.56 (479)	47.13 (1197)	76.69 (1948)	7.25 (184)	14.75 (375)	14.75 (375)	9.82 (249)	4.75 (121)	1150 (522)

Table 5 - RPSR Actuators Dimensions (Dual Spring Cartridge)

Model	Dimensions inches (mm)								Weight
	A	B	C	D	E	F	H	I	lbs (kg)
12L-SR-41/33	19.56 (497)	47.13 (1197)	76.69 (1948)	7.25 (184)	14.75 (375)	14.75 (375)	9.82 (249)	4.75 (121)	1215 (551)
12L-SR-39/7	19.56 (497)	46.13 (1172)	75.69 (1923)	7.25 (184)	12.75 (324)	12.75 (324)	9.82 (249)	4.75 (121)	1130 (513)
14L-SR-41/33	19.62 (498)	47.13 (1197)	76.75 (1949)	7.25 (184)	14.75 (375)	14.75 (375)	9.82 (249)	4.75 (121)	1360 (617)
14L-SR-39/7	19.06 (484)	46.13 (1172)	75.19 (1910)	7.25 (184)	14.75 (375)	14.75 (375)	9.82 (249)	4.75 (121)	1280 (581)

Notes: Dimensions "B" & "C" will change for below ground units according to depth of burial.
 For surge control design RPSR Actuator dimensions, refer to Becker Surge Control Valves Brochure.
 Dimensions and weights are representative only. Consult valve drawings for actual values.

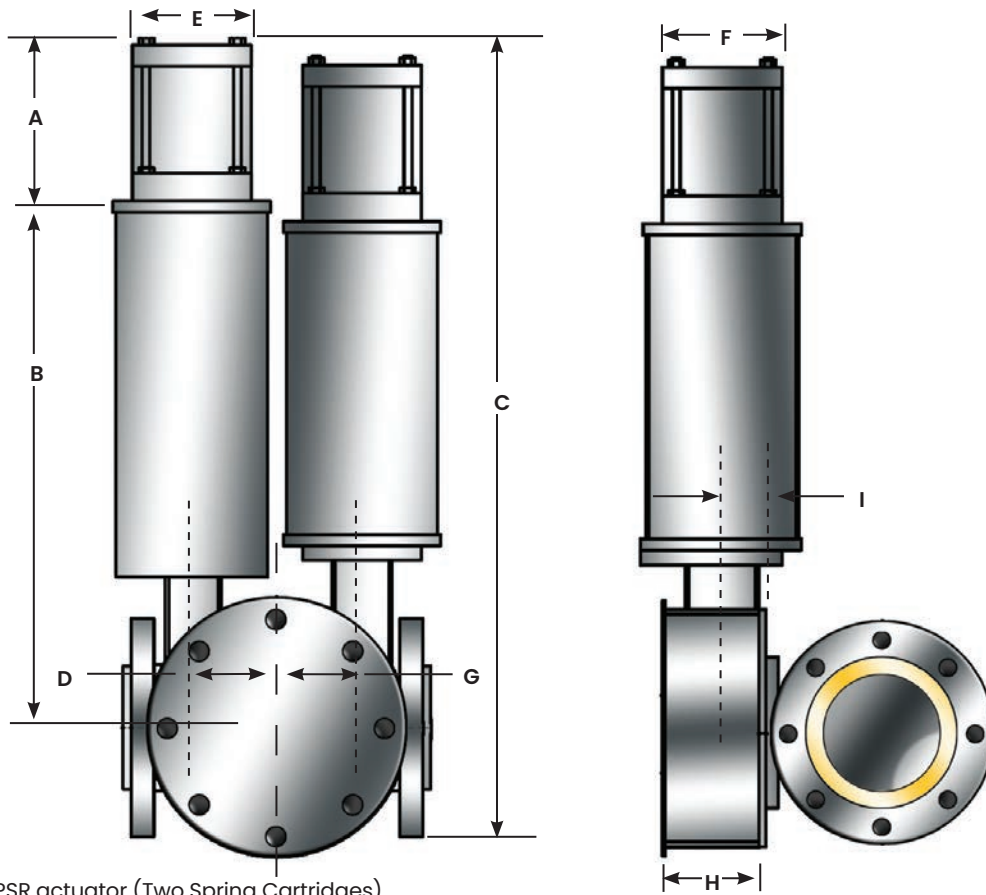


Figure 7 - RPSR actuator (Two Spring Cartridges)

Table 6 - RPSR actuators Dimensions (Two Spring Cartridge)

Model	Dimensions inches (mm)									Weight
	A	B	C	D	E	F	G	H	I	lbs (kg)
D10L-SR-39/39/7	19.06 (484)	47.13 (1197)	79.19 (2011)	7.25 (184)	10.63 (270)	10.63 (270)	7.25 (184)	8.50 (216)	3.63 (92)	1815 (823)
D10L-SR-39/41	19.06 (484)	47.13 (1197)	79.19 (2011)	7.25 (184)	10.63 (270)	10.63 (270)	7.25 (184)	8.50 (216)	3.63 (92)	1785 (810)
D10L-SR-39/7/41	19.06 (484)	47.13 (1197)	80.19 (2037)	7.25 (184)	10.63 (270)	10.63 (270)	7.25 (184)	8.50 (216)	3.63 (92)	1875 (850)
I2L/10L-SR-39/7/39	19.56 (497)	47.13 (1197)	79.19 (2011)	7.25 (184)	10.63 (270)	10.63 (270)	7.25 (184)	8.63 (219)	3.63 (92)	1925 (873)
I2L/10L-SR-39/7/41	19.56 (497)	47.13 (1197)	79.19 (2011)	7.25 (184)	10.63 (270)	12.75 (324)	7.25 (184)	8.63 (219)	3.63 (92)	1985 (900)
D12L-SR-D39	19.56 (497)	47.13 (1197)	79.69 (2024)	7.25 (184)	10.63 (270)	12.75 (324)	7.25 (184)	8.63 (219)	3.63 (92)	1935 (878)
D12L-SR-39/39/7	19.56 (497)	47.13 (1197)	79.69 (2024)	7.25 (184)	10.63 (270)	12.75 (324)	7.25 (184)	8.63 (219)	3.63 (92)	2035 (923)
D12L-SR-39/41/33	19.56 (497)	47.13 (1197)	81.69 (2075)	7.25 (184)	12.75 (324)	12.75 (324)	7.25 (184)	8.63 (219)	3.63 (92)	2053 (931)
I2N/I2M-SR-D41/8	21.53 (547)	51.13 (1299)	86.66 (2201)	7.88 (200)	10.63 (270)	12.75 (324)	8.50 (216)	10.75 (273)	3.63 (92)	2306 (1046)
I2N/I2M-SR-41/43/33	21.53 (547)	51.13 (1299)	86.66 (2201)	7.88 (200)	12.75 (324)	12.75 (324)	8.50 (216)	10.75 (273)	3.63 (92)	2260 (1025)
I4N/I2M-SR-D41/8	22.79 (579)	21.13 (537)	57.92 (1471)	7.88 (200)	14.75 (375)	12.75 (324)	8.50 (216)	10.75 (273)	3.63 (92)	2490 (1129)

Notes: Dimensions "B" & "C" will change for below ground units according to depth of burial.
 For surge control design RPSR Actuator dimensions, refer to Becker Surge Control Valves Brochure.
 Dimensions and weights are representative only. Consult valve drawings for actual values.

Table 7- Becker RPSR Spring Return Rotary Piston Actuator Selection Table for Standard Control Service

Temperature = -20° F (-6.6°C) 80 psig (5.5 barg) Power Gas

T-Ball Valve Size	500 psi (34 bar) = ΔP		1000 psi (69 bar) = ΔP		1500 psi (104 bar) = ΔP	
	Fail Closed	Fail Open	Fail Closed	Fail Open	Fail Closed	Fail Open
2" (50 mm)	6D-SR-2	6D-SR-2	6D-SR-2	6D-SR-2	8D-SR-7	6D-SR-2
3" (80 mm)	8F-SR-7	8F-SR-7	8F-SR-7	8F-SR-7	8F-SR-7	8F-SR-7
4" (100 mm)	10F-SR-8	8F-SR-7	10F-SR-8	10F-SR-8	10F-SR-8	10F-SR-8
6" (150 mm)	10H-SR-33	10H-SR-33	10H-SR-33	10H-SR-33	12L-SR-39	10H-SR-33
8" (200 mm)	12L-SR-39	12L-SR-39	12L-SR-39	12L-SR-39	14L-SR-41/8	12L-SR-39
10" (250 mm)	14L-SR-41	12L-SR-39	D12L-SR-D39	14L-SR-41	12M/12N-SR-D41	14L-SR-41
12" (300 mm)	D12L-SR-41/39	10L/12L-SR-D39	12M/12N-SR-D41	D12L-SR-D39	14M/14N-SR-D41/8	D12L-SR-D39

Temperature = -20° F (-6.6°C) 100 psig (6.9 barg) Power Gas

T-Ball Valve Size	500 psi (34 bar) = ΔP		1000 psi (69 bar) = ΔP		1500 psi (104 bar) = ΔP	
	Fail Closed	Fail Open	Fail Closed	Fail Open	Fail Closed	Fail Open
2" (50 mm)	5D-SR-2	5D-SR-2	5D-SR-2	5D-SR-2	6F-SR-7	6F-SR-7
3" (80 mm)	6F-SR-7	6F-SR-7	8F-SR-7	8F-SR-7	8F-SR-8	8F-SR-7
4" (100 mm)	8F-SR-8	8F-SR-8	8F-SR-8	8F-SR-8	8F-SR-8	8F-SR-8
6" (150 mm)	10F-SR-33	10F-SR-33	10H-SR-33	10H-SR-33	10H-SR-39	10H-SR-33
8" (200 mm)	10L-SR-39	10L-SR-39	10L-SR-39	10L-SR-39	14L-SR-41/33	12L-SR-41
10" (250 mm)	12L-SR-41	12L-SR-41	14L-SR-41/33	12L-SR-39	14L-SR-41/33	12L-SR-41
12" (300 mm)	14L-SR-41/33	14L-SR-41/8	D10L-SR-39/39/7	14L-SR-41/8	12N/12M-SR-41/41/33	D12L-SR-D39

Temperature = -20° F (-6.6°C) 125 psig (8.6 barg) Power Gas

T-Ball Valve Size	500 psi (34 bar) = ΔP		1000 psi (69 bar) = ΔP		1500 psi (104 bar) = ΔP	
	Fail Closed	Fail Open	Fail Closed	Fail Open	Fail Closed	Fail Open
2" (50 mm)	5D-SR-2	5D-SR-2	5D-SR-2	5D-SR-2	6D-SR-7	6D-SR-7
3" (80 mm)	6F-SR-7	6F-SR-7	6F-SR-7	6F-SR-7	8F-SR-8	6F-SR-7
4" (100 mm)	8F-SR-8	8F-SR-8	8F-SR-8	8F-SR-8	8F-SR-8	8F-SR-8
6" (150 mm)	8H-SR-33	8H-SR-33	8H-SR-33	8H-SR-33	10F-SR-39	10F-SR-39
8" (200 mm)	10L-SR-39	10L-SR-39	10L-SR-39	10L-SR-39	12L-SR-41/33	10L-SR-41
10" (250 mm)	10L-SR-41	10L-SR-41	12L-SR-41/33	12L-SR-41	12L-SR-41/33	12L-SR-41
12" (300 mm)	12L-SR-41/33	12L-SR-39/7	D10L-SR-39/39/7	12L-SR-41/33	D12L-SR39/41/33	14L-SR-41/33

Notes: For valve sizes over 12" bore, please contact Baker Hughes
 For Power Gas Pressures greater than 125 psig (862 kPa) or less than 100 psig (689 kPa), please contact Baker Hughes
 For higher ΔP Applications, please contact Baker Hughes
 Power Gas = P_{supply} - P_{discharge} for applications that utilize Bleed to Pressure System feature
 Refer to Surge Control brochure for Surge Actuators selection table

Becker RPSR Actuators are available with optional “Surge Design” for quick stroking Applications where Speed of Response is Critical.

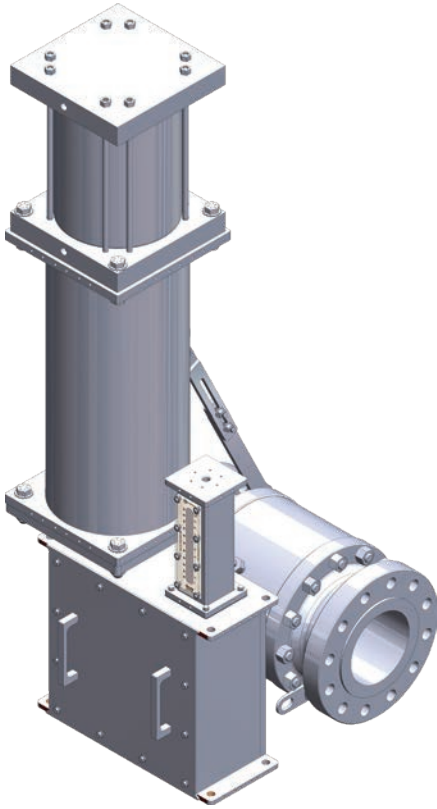


Figure 8 – Becker Surge Control Valve

The Becker Surge Control Valve incorporates the Surge Design RPSR Actuator to provide protection on centrifugal natural gas pipeline compressors. The Surge Control Valve can provide stroking times less than 750 mSec.

The RPSR actuator’s Surge Design features components necessary to handle the rigors of high speed control valve applications:

- Stroke times 750 mSec or less
- Pneumatic cushion for protection of actuator piston at end of travel
- Heavy duty pneumatic piston to accommodate fast, frequent stroking with superior reliability
- QEV Series Quick Exhaust Valves for fast dump of pneumatic loading

Note: When the RPSR actuator’s Surge Design is incorporated, caution must be exercised to ensure that the mated control valve can accommodate the impulse loading without damage to the control valve stem and trim components. For implementation of Becker T-Ball™ control valves (Models FPCV-T0, QTCV-T1, QTCV-T2, and QTCV-T4), Surge Design must be utilized to accommodate quick stroking speeds. Becker’s Surge Design T-Ball valves are designated as follows: FPCV-T0S, QTCV-T1S, QTCV-T2S and QTCV-T4S. Failure to utilize proper control valves and actuators for fast-acting control valve applications could result in damage to the equipment and/or the operator. For complete guidelines for application of Surge Design RPSR Actuators and Surge Design T-Ball control valves, please contact Baker Hughes.

Typical applications for “Surge Design” RPSR actuators:

- Surge control valves
- Slam shut valves
- Fast-acting monitor regulators
- Other quick stroking control valve applications



Figure 9 – Surge Control Valves Centrifugal Natural Gas Compressors (Natural Gas Transmission Industry)

Becker Surge Control valves provide increased protection for centrifugal natural gas compressors. The Surge Control Valve will open rapidly upon potential surge to protect the centrifugal compressor mechanism. Becker Surge Control Valves are well accepted by many natural gas transmission companies and natural gas compressor manufacturers throughout the industry. For additional information see Becker’s Surge Control Valve Brochure (SCV).



Figure 10 – Slam Shut and Fast-Acting Monitor Regulators Natural Gas Fired Power Plants (Power Generation Industry)

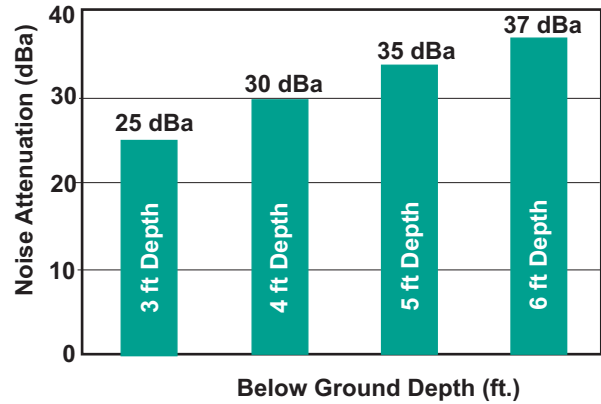
Fast-acting monitor regulators and Slam Shut valves provide the ultimate protection to natural gas Fired turbines from overpressure occurrence. These monitor regulators and slam shut valves utilize Surge Design RPSR actuators to ensure quick stroking and minimize potential of damage to downstream pipe and equipment in the event of potential over-pressurization. Slam Shut valves and fast stroking monitor regulators are standard to most Becker pressure regulator stations that feed power plants due to their reliability and purpose built design.

The Becker below ground ball valve

Regulator option is unique to Becker Products and provides a multitude of benefits by direct burial of the control valve. The valve actuator, lubrication lines, and drain lines are extended above ground while the ball valve remains below ground. The primary advantage of Becker below ground regulators is inexpensive noise attenuation in excess of 25 dBA.

- More than 25 dBA noise attenuation
- Less ambient heat loss
- May use smaller adjacent piping diameter
- Smaller station footprint
- Most economical noise attenuation
- May eliminate need for buildings/enclosures by utilizing the fiberglass cabinet

Below Ground Regulator Option providing additional noise attenuation



Noise Attenuation as Factor of Below Ground Depth Typical below ground depths range from 3 feet to 6 feet burial

The below ground depth is measured from centerline of pipe to ground. Below ground usually provides from 25 dBA to 37 dBA noise attenuation.



Figure 11 – Installation of Becker Below Ground Regulators (Prior to Backfill)

A large natural gas transmission/distribution company installed Becker Below Ground Ball Valve Regulators to achieve maximum noise attenuation, minimal maintenance, and optimum cost effectiveness. The Below ground regulator can provide up to 37 dBA additional noise attenuation with minimal additional cost. Model QTCV-T2 Quiet Trim Control Valves were added to provide additional 15 dBA noise attenuation, bringing total overall noise attenuation up to 50 dBA. The Below Ground Ball Valve regulators are shown during installation, prior to backfill of the regulator station.



Figure 12 – Installation of Becker Below Ground Regulators (After Backfill)

The above installation photo demonstrates the “clean” design of the regulator station. After backfill of the station, only the top works portion of the RPSR actuators extend above ground. The piping system remains below ground, minimizing noise and ambient heat loss. Additionally, technicians find the station design to be easily accessible due to absence of above ground piping and fittings.

Accessories

Becker Control Valve Actuators provide reliability and accuracy for all of your control valve applications



Limit Switches

Limit switches provide an indication of valve status and are commonly utilized on both on-off and control valves. A limit switch assembly will close a contact at both the full-open and at the full-closed position of valve travel. The switches provide a remote indication to gas control, RTU or a flow computer as to the status of a valve. Limit switch assemblies are available with a variety of configurations.

Housing NEMA 4, 4X, 7, Class I, Groups C & D, Division 1 & 2
Switches 2 or 4
Option 2 or 4 Hermetically Sealed Switches

SPDT Single Pole, Double Throw
DPDT Double Pole, Double Throw up to 125 V D.C. at .5 amps up to 250 V A.C. at 15 amps



Position Transmitter

The Valve Position Feedback assembly provides a quantitative indication of the exact position of a control valve. The Valve Position Feedback assembly provides 4-20 mA analog remote position feedback proportional to the control valve position. The feedback signal may be utilized as an integral portion of the control loop or merely as an additional feedback signal to gas control for monitoring valve status. Valve Position Feedback is typically utilized on flow control valves.

Transmitter 4-20 mA Output
Housing NEMA 4, 4X, 7, Class I, Groups C & D, Division 1 & 2
Switches 2 or 4
Option 2 or 4 Hermetically Sealed Switches

SPDT Single Pole, Double Throw
DPDT Double Pole, Double Throw up to 125 V D.C. at .5 amps up to 250 V A.C. at 15 amps



Becker DNGP Digital Valve Positioner

The Becker Digital Natural Gas Positioner (DNGP) features Zero Bleed technology, supports pressure and flow control applications, is compatible with all Becker actuators and may be retrofit to other manufacturers' control valve packages. Its features make the DNGP a true plug-and-play positioner, one that configures easily with any control valve actuator, application logic via menu selections, or tubing configuration. Simple, reliable and versatile, and with multiple redundant safeguards for natural gas pipelines, the Becker DNGP is designed specifically to work with advanced, pneumatically actuated natural gas control valve applications that use electronic communication. A variety of accessories are available to optimize the positioner's performance.



Becker Valve Regulator Pilot (VRP)

The Becker Valve Regulator Pilot (VRP) provides pneumatic pressure control for gas applications. The VRP measures the downstream pressure and utilizes pipeline gas to power the actuator and position the valve to maintain the desired setpoint.

- Maintains control within 0.75% of desired setpoint
- Combines the functions of a positioner and a controller into a single device
- Zero steady state emissions

Let Baker Hughes Help Select the Perfect Rotary Control Valve Actuator

Table 8– Selection table for Becker Control Valves and Actuators

	RPDA (Small Models)	RPDA (Large Models)	SYDA (Small Models)	SYDA (Large Models)	RPSR	SYSR	LPDA (Small Models)	LPDA (Large Models)	LPSR	LD
Actuator Instrumentation										
VRP-CH-Pilot	•	•	•	•			•	•		
VRP-B-CH Pilot	•		•							
VRP-SB-CH-Pilot					•	•			•	•
VRP-SB-PID Pilot					•	•			•	•
HPP-4 Positioner	•	•	•	•			•	•		
HPP-5 Positioner	•		•				•			
HPP-SB Positioner					•	•			•	•
DNGP Positioner	•	•	•	•	•	•	•	•	•	•
VRP-SB-GAP	•	•	•	•	•	•	•	•	•	•
Compatible Valves										
FPCV-T0	•	•	•	•	•	•				
QTCV-T1	•	•	•	•	•	•				
QTCV-T2	•	•	•	•	•	•				
QTCV-T4	•	•	•	•	•	•				
Globe Series							•		•	•
Actuator Options										
Bleed to Pressure System BPS	•		•	•		•	•	•	•	
AB Series Atmospheric Bleed Control	•		•	•		•	•	•	•	
NBV Series No-Bleed Valve	•	•				•	•			
DPS-2 Series Non-Bleed Sensor	•	•				•	•			
PS-2 Series Non-Bleed Sensor	•					•				
SP Series Setpoint Pump	•	•	•	•	•					
RSM Series Remote Setpoint Module	•	•	•	•	•					
Panel Mounting	•	•	•	•	•				•	
Stainless Steel Option	•	•	•	•	•	•	•	•		
VB Series Volume Booster	•		•		•	•		•		
QEV Series Quick Exhaust Valve				•				•		
I/P Transducer						•	•	•		
SLV Series Signal Lock Valve						•	•	•		

Notes: RPSR, SYDA, and LPDA Small Models are defined as actuator size <2000 in³ (0.333m³)
 RPSR, SYDA, and LPDA Large Models are defined as actuator size >2000 in³ (0.333m³)
 LD Series Actuators are limited to Becker Series Globe Valves
 BPS is limited to discharge pressure systems below 300 psig (2068 kPa). Please consult Baker Hughes for application assistance

The Baker Hughes line of Becker valves has a wide variety of control valve actuators with a variety of features that **ensure the optimum solution for your application needs**. Refer to the Figures in the Table 8 to assist you in selecting the proper control valve actuator and accessories.



Figure 13 – Becker RPSR Actuated Control Valves in Power Plant

A Becker RPSR actuated control valve is used to provide primary pressure regulation and overpressure protection (monitor regulators) on a feed to a gas-fired power plant. The RPSR shown here are equipped with Becker Model HPP-SB High Pressure Positioners to provide maximum speed of response combined with optimum accuracy.



Figure 14 – Becker RPSR Actuators are ideal for Surge Control/Recycle Valves

Becker RPSR Actuators are ideal for use as Surge Control/Recycle Valves installed on centrifugal gas pipeline compressors. The RPSR may be equipped with a pneumatic cushion system to enable quick stroking of control valves from closed to open position in 750 mSec or less. The RPSR may also be configured for other high speed applications such as high speed slam shut valves.

CAUTION

This information is intended as a guideline for application of Becker Control Valve products. Baker Hughes strongly recommends consulting Becker Engineering prior to application of any product.

Direct Sales Office Locations

Australia

Brisbane
Phone: +61-7-3001-4319

Perth
Phone: +61-8-6595-7018

Melbourne
Phone: +61-3-8807-6002

Brazil

Phone: +55-19-2104-6900

China

Phone: +86-10-5738-8888

France

Courbevoie
Phone: +33-1-4904-9000

India

Mumbai
Phone: +91-22-8354790

New Delhi

Phone: +91-11-2-6164175

Italy

Phone: +39-081-7892-111

Japan

Tokyo
Phone: +81-03-6871-9008

Korea

Phone: +82-2-2274-0748

Malaysia

Phone: +60-3-2161-03228

Mexico

Phone: +52-55-3640-5060

Russia

Veliky Novgorod
Phone: +7-8162-55-7898

Moscow

Phone: +7-495-585-1276

Saudi Arabia

Phone: +966-3-341-0278

Singapore

Phone: +65-6861-6100

South Africa

Phone: +27-11-452-1550

South & Central America and the Caribbean

Phone: +55-12-2134-1201

Spain

Phone: +34-935-877-605

United Arab Emirates

Phone: +971-4-8991-777

United Kingdom

Phone: +44-7919-382-156

United States

Houston, Texas
Phone: +1-713-966-3600

Find the nearest local Channel Partner in your area:
valves.bakerhughes.com/contact-us

Tech Field Support & Warranty:

Phone: +1-866-827-5378
valvesupport@bakerhughes.com

valves.bakerhughes.com

Copyright 2021 Baker Hughes Company. All rights reserved. Baker Hughes provides this information on an "as is" basis for general information purposes. Baker Hughes does not make any representation as to the accuracy or completeness of the information and makes no warranties of any kind, specific, implied or oral, to the fullest extent permissible by law, including those of merchantability and fitness for a particular purpose or use. Baker Hughes hereby disclaims any and all liability for any direct, indirect, consequential or special damages, claims for lost profits, or third party claims arising from the use of the information, whether a claim is asserted in contract, tort, or otherwise. Baker Hughes reserves the right to make changes in specifications and features shown herein, or discontinue the product described at any time without notice or obligation. Contact your Baker Hughes representative for the most current information. The Baker Hughes logo, Becker and T-Ball are trademarks of Baker Hughes Company. Other company names and product names used in this document are the registered trademarks or trademarks of their respective owners.

Baker Hughes 